
Comfort-Aire®

 **Century**®

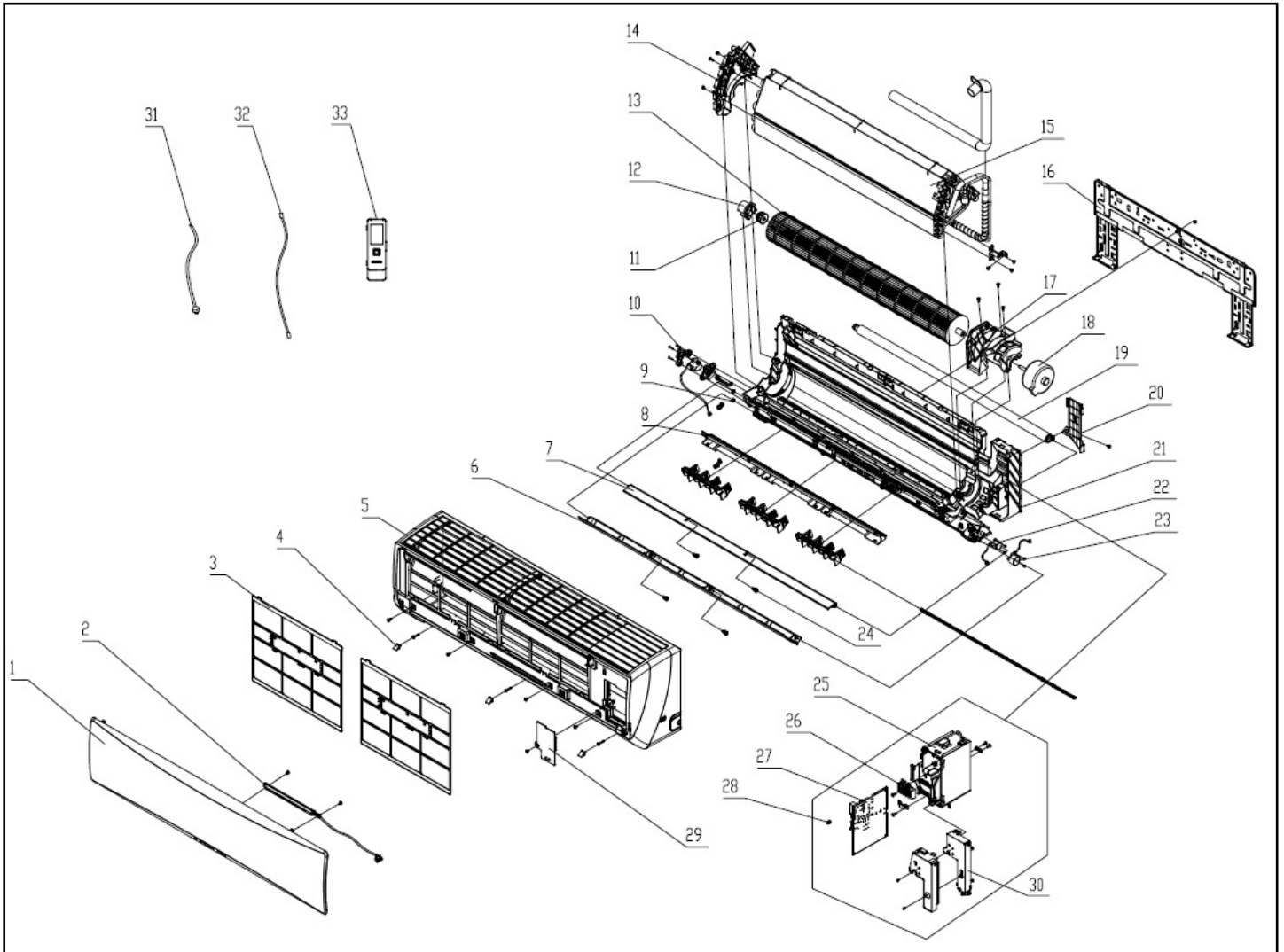
MARS®
Delivering Confidence

REPLACEMENT PARTS LIST

InverterFlex Series®
Indoor High Wall Mini-Split

B-VFH18MB-1

EXPLODED VIEW



REPLACEMENT PARTS

Location	Part Name	Quantity	Part No.
1	Front Panel	1	27230007939
2	Display Board	1	30565141
3	Filter Sub-Assembly	2	1112209105
4	Screw Cover	3	24252016
5	Front Case	1	20012821
6	Guide Louver	1	10512283
7	Guide Louver (Small)	1	1051222601
8	Helicoid Tongue	1	2611236701
9	Left Axle Bushing	2	1051203701
10	Stepping Motor	1	1501208602
11	O-Gasket of Cross Fan Bearing	1	76512203
12	Ring of Bearing	1	26152025
13	Cross Flow Fan	1	10352045
14	Evaporator Support	1	24212139
15	Evaporator Assembly	1	0100238601_L61437
16	Wall Mounting Frame	1	01252123
17	Motor Press Plate	1	26112330
18	Fan Motor	1	1501212701
19	Drainage Hose	1	0523001406
20	Connecting Pipe Clamp	1	26112188
21	Rear Case Assembly	1	22202499
22	Stepping Motor	1	15212404
23	Stepping Motor	1	1521212901
24	Axle Bushing	4	10542036
25	Electric Box	1	2011218104
26	Terminal Board	1	42011233
27	Main Board	1	30138000312
28	Jumper	1	4202300115
29	Electric Box Cover 2	1	2012214209
30	Electric Box Cover	1	2012240903
33	Remote Controller	1	30510138_L61437
Not Shown	Holder for Remote Controller	1	26150008

Due to ongoing product improvements, specifications and dimensions are subject to change and correction without notice or incurring obligations. Determining the application and suitability for use of any product is the responsibility of the installer. Additionally, the installer is responsible for verifying dimensional data on the actual product prior to beginning any installation preparations.

Incentive and rebate programs have precise requirements as to product performance and certification. All products meet applicable regulations in effect on date of manufacture; however, certifications are not necessarily granted for the life of a product. Therefore, it is the responsibility of the applicant to determine whether a specific model qualifies for these incentive/rebate programs.

Comfort-Cire®  **Century**

1900 Wellworth Ave., Jackson, MI 49203 • Ph. 517-787-2100 • www.marsdelivers.com

